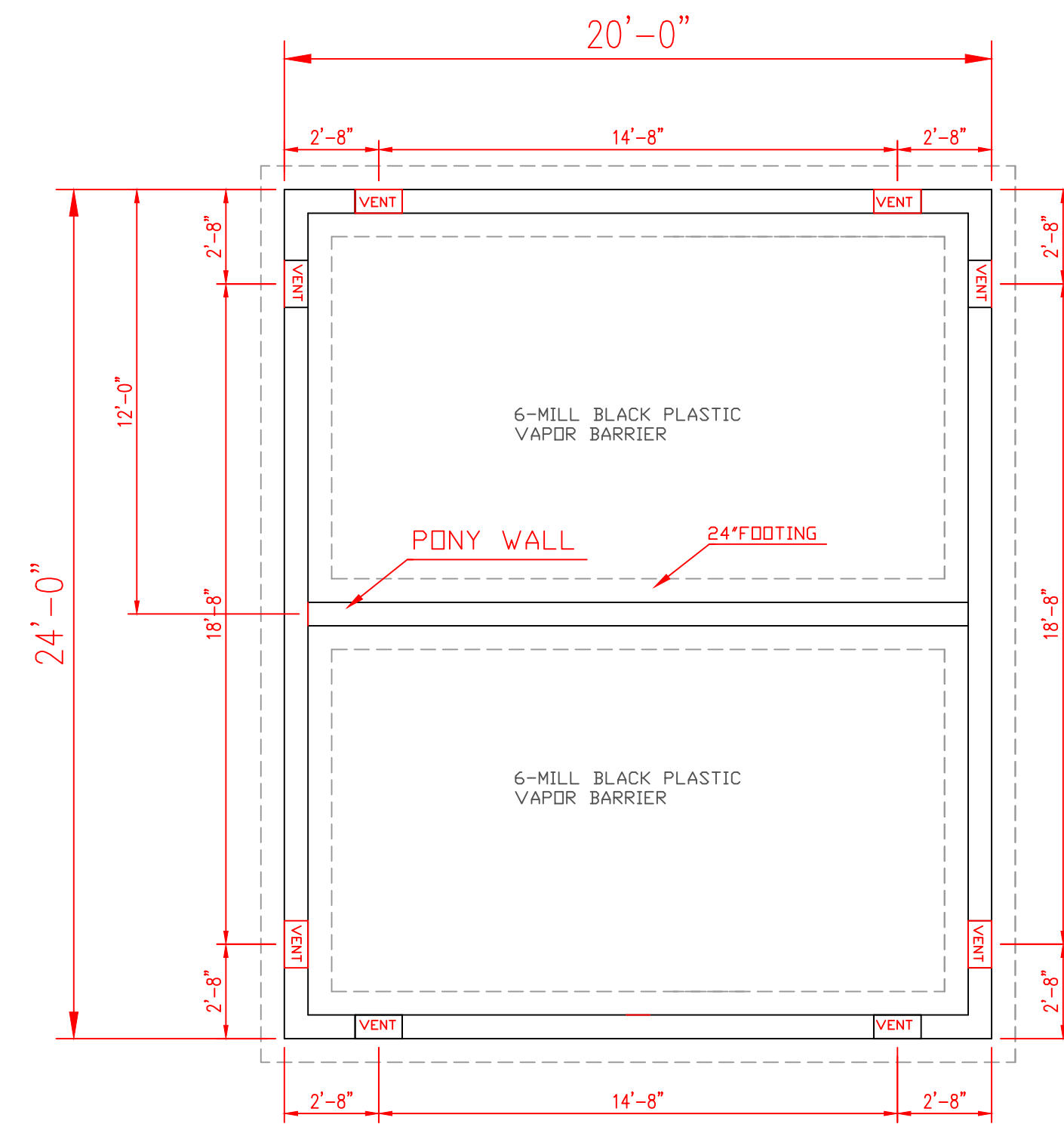


# FOOTING / STEM WALL



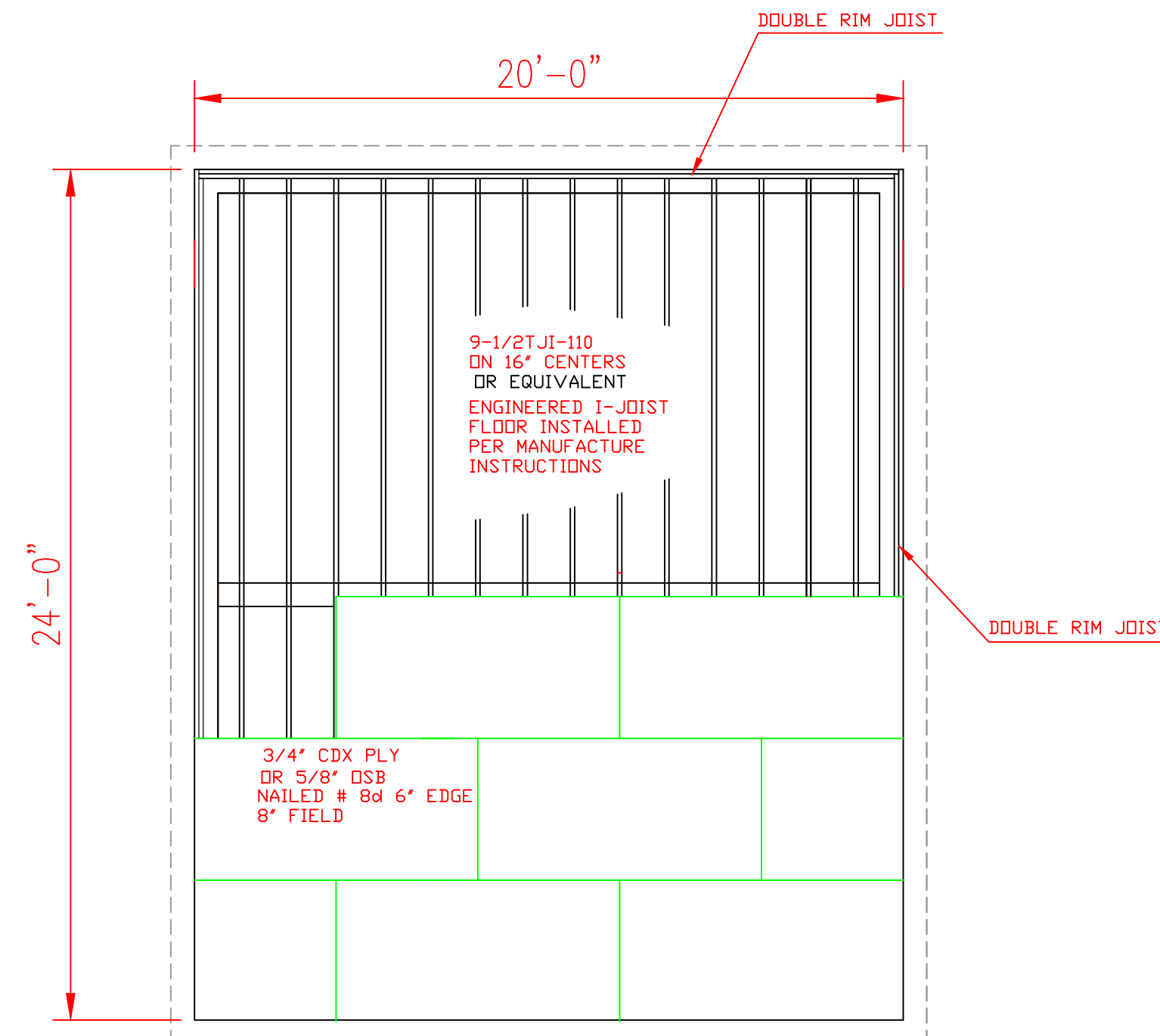
**VENT**

VENT

CRAWL SPACE VENTILATION  
1 SQ.FT PER EACH 150 SQ.FT  
OF UNDER FLOOR AREA

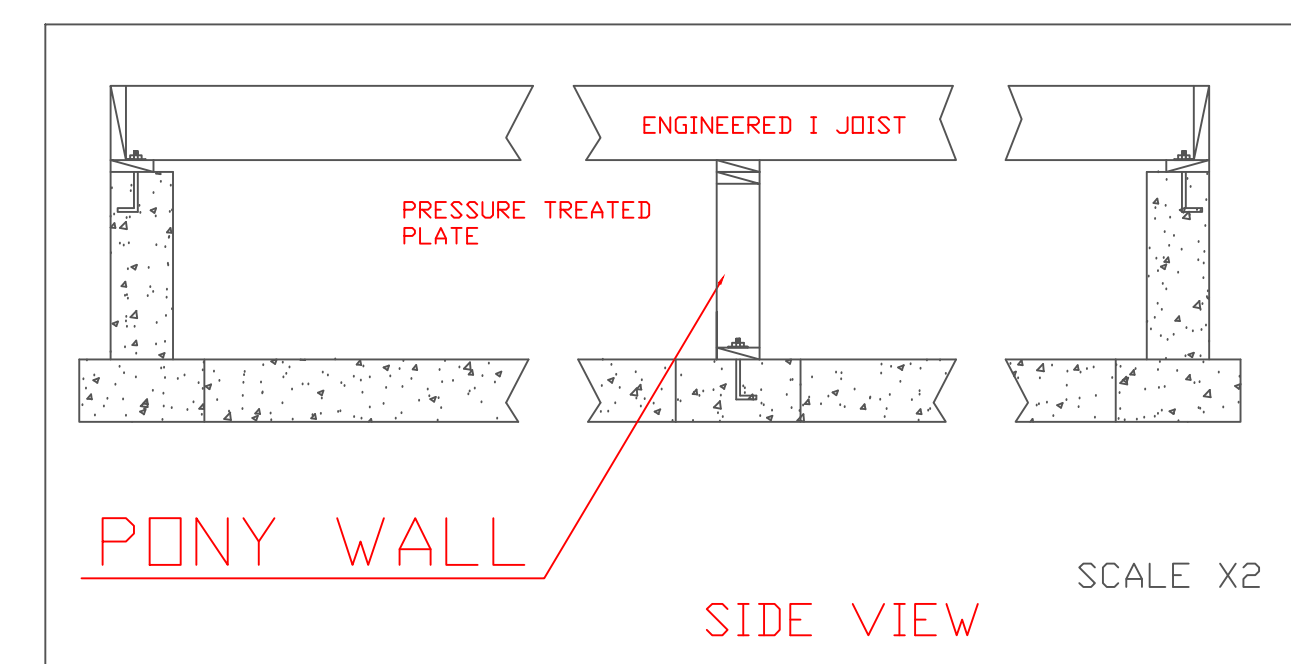
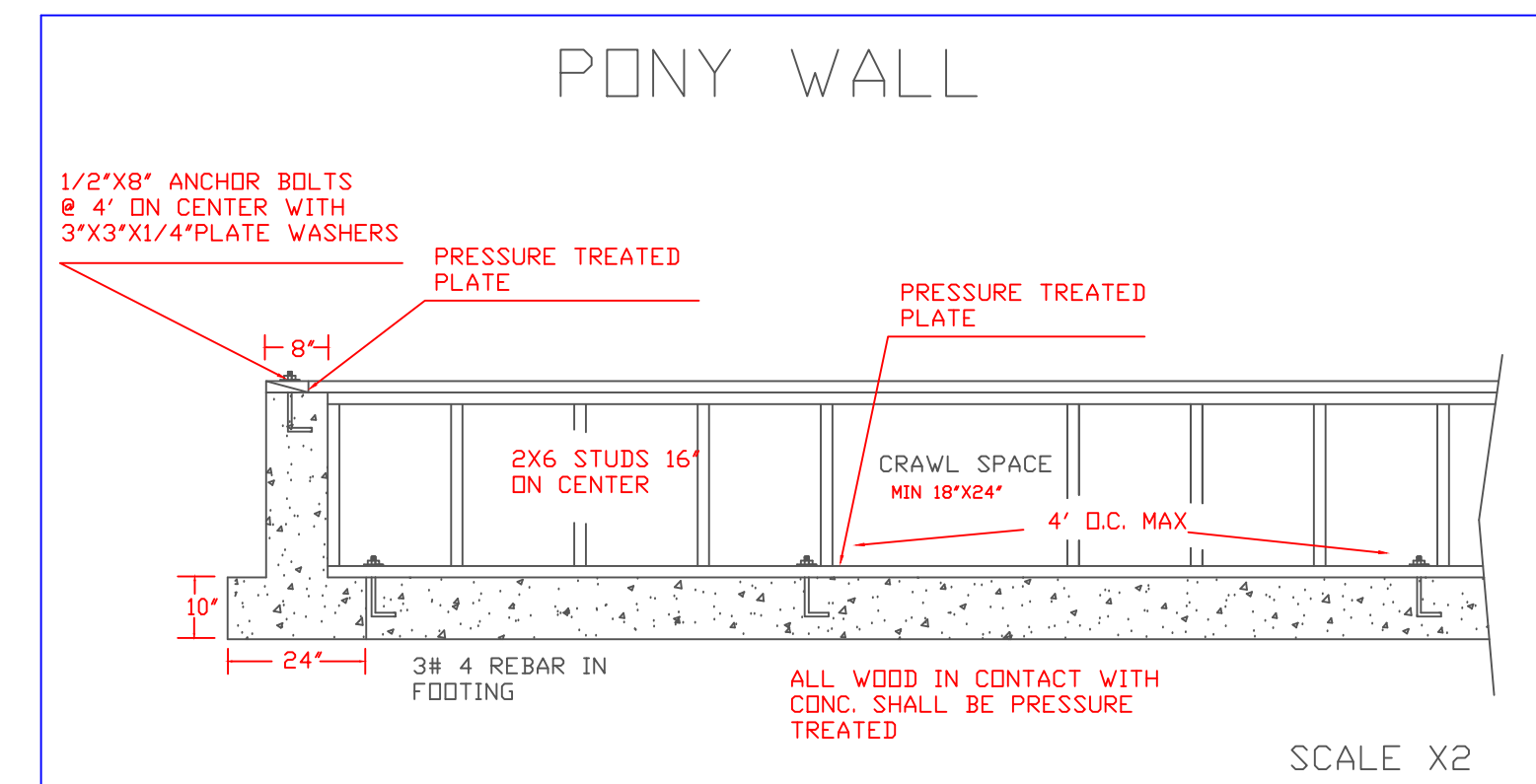
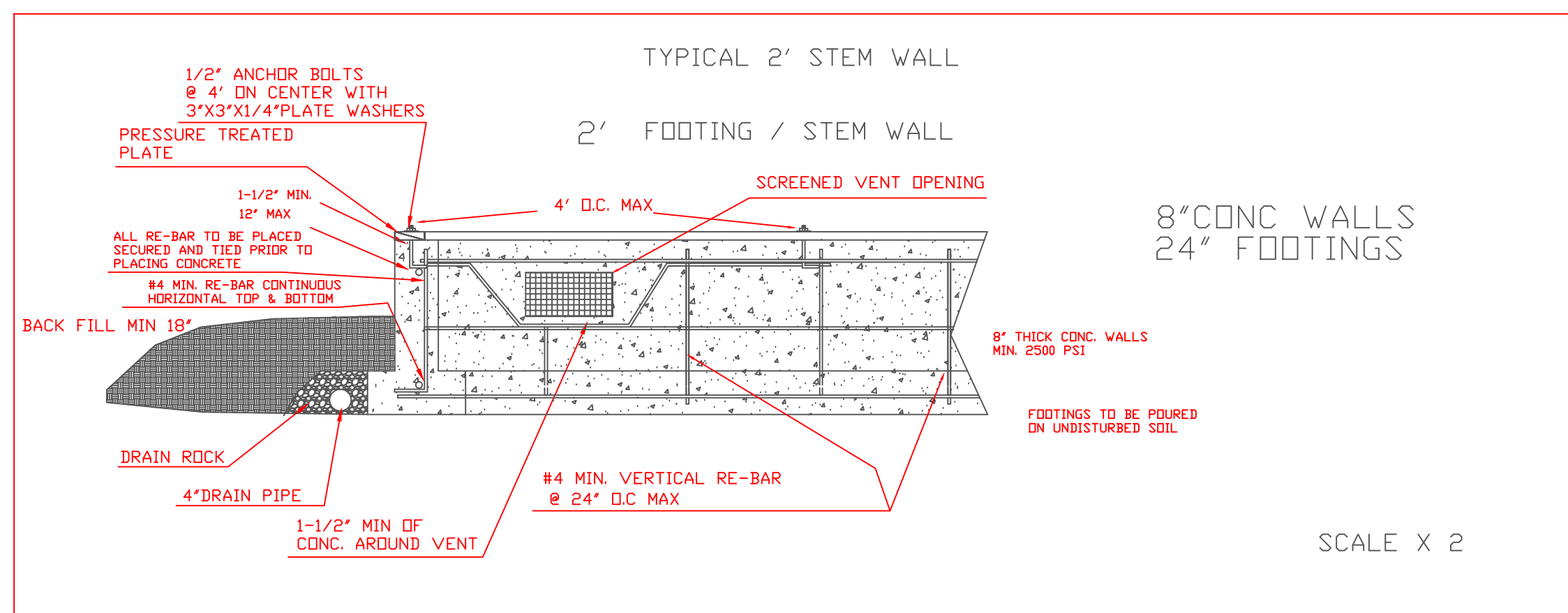
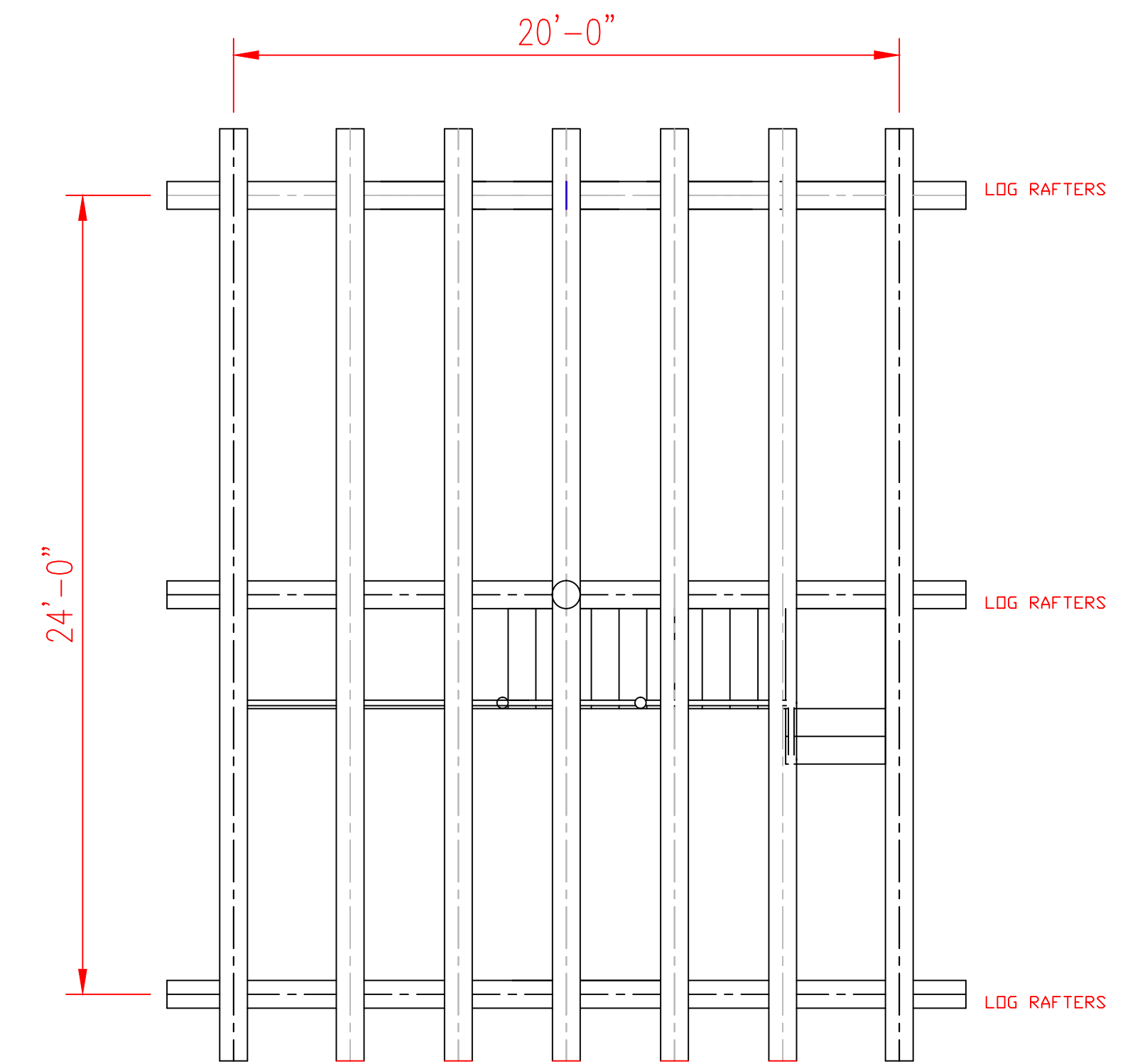
1-8'X16' VENT = .89 SQ.FT.  
480/150 = 3.20 FT REQUIRED  
4-VENTS = 3.56 SQ.FT.

# FLOOR JOIST MAIN FLOOR



ENGINEERED FLOOR JOIST DIMENSIONS AND  
LOAD POINT ADJUSTED PER MANUFACTURE

# LOG PURLIN



CLEARWATER LOG

20x24

4 OF 5

SCALE 1/4"=1'

DESIGN BY MARK VESIK  
E-MAIL [mavesik@yahoo.com](mailto:mavesik@yahoo.com)  
WEB-SITE [www.mvprints.net](http://www.mvprints.net)

208-451-0221

MV PRINTS