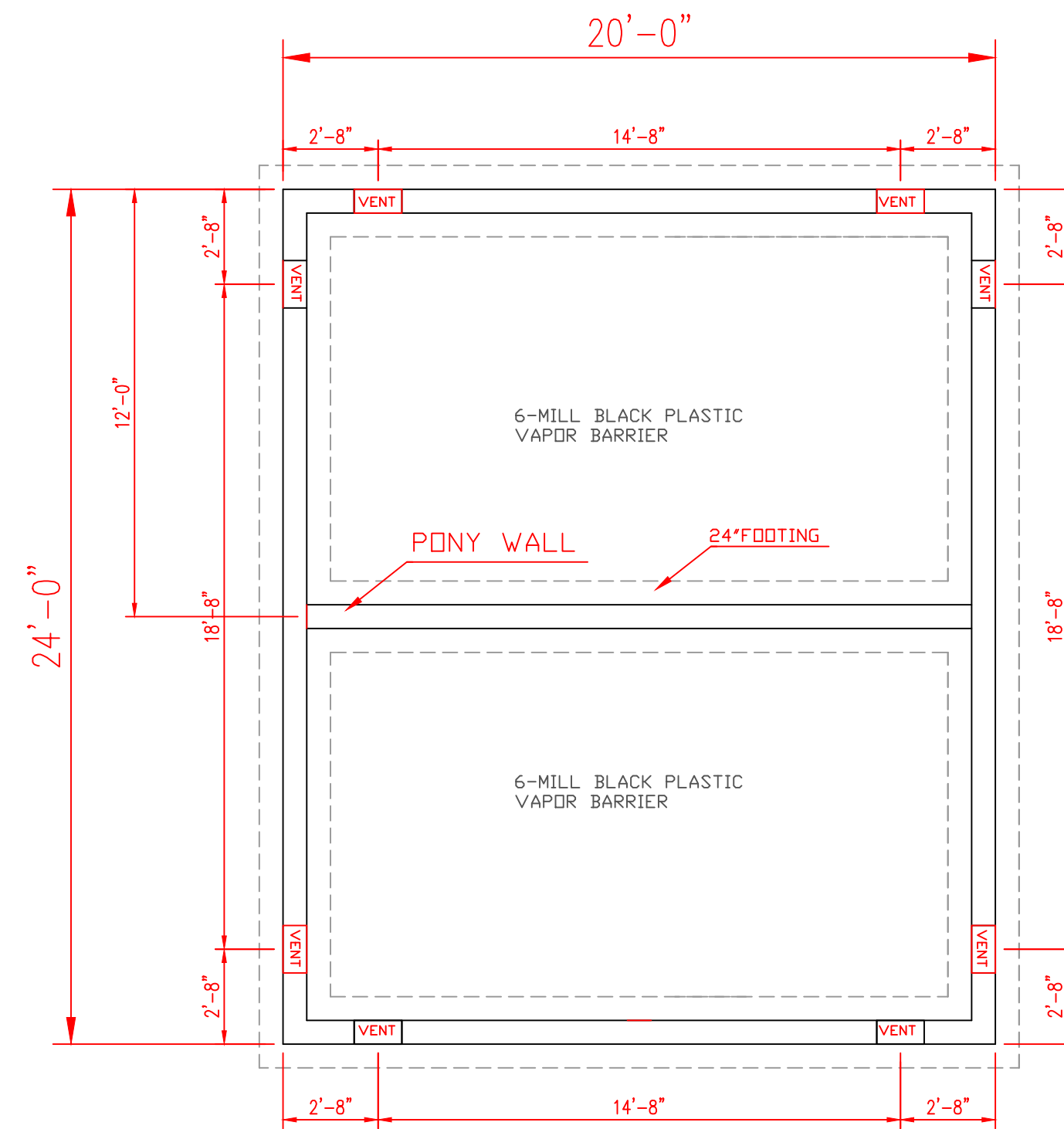


FOOTING / STEM WALL



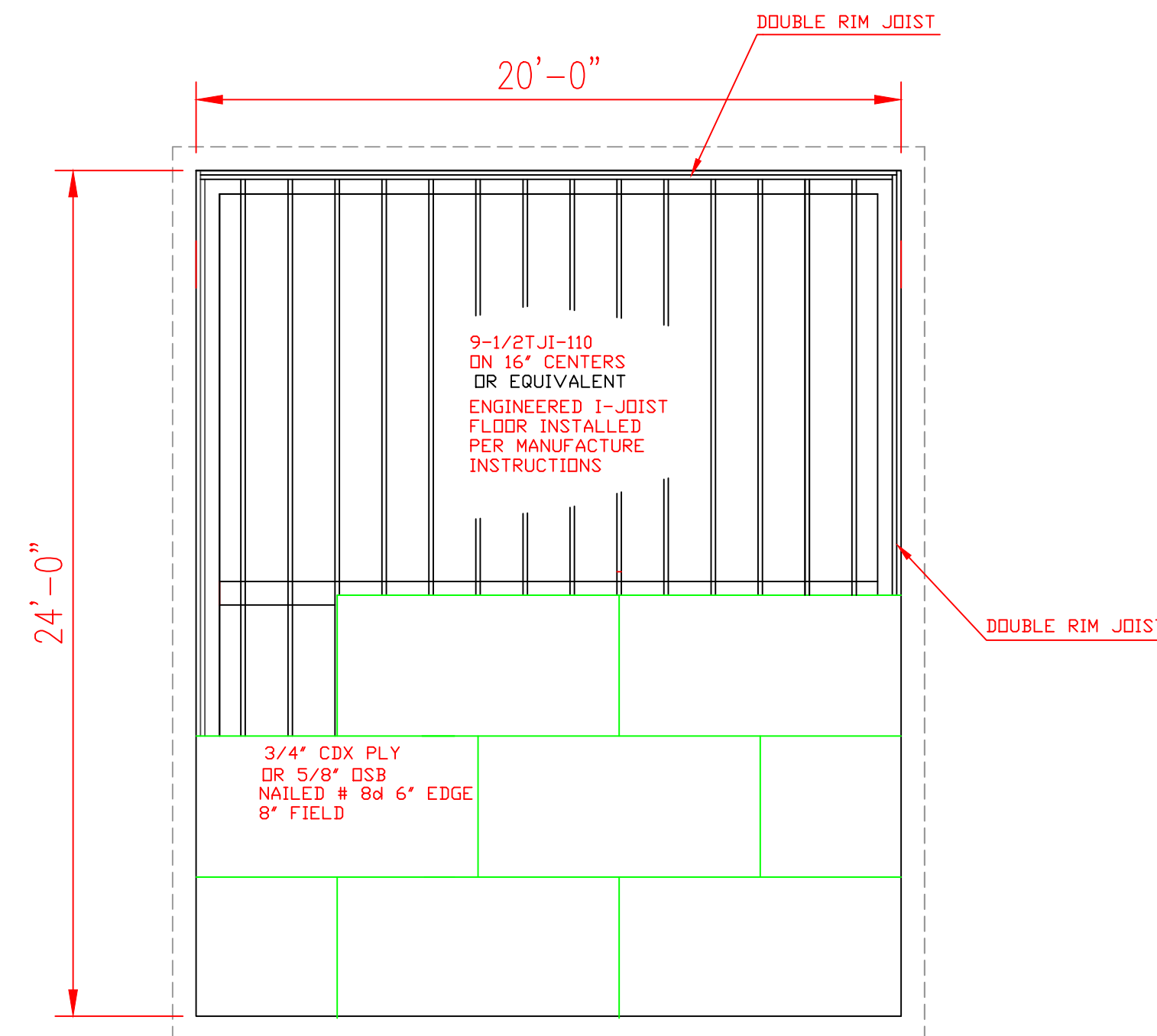
VENT

VENT

CRAWL SPACE VENTILATION
1 SQ.FT PER EACH 150 SQ.FT
OF UNDER FLOOR AREA

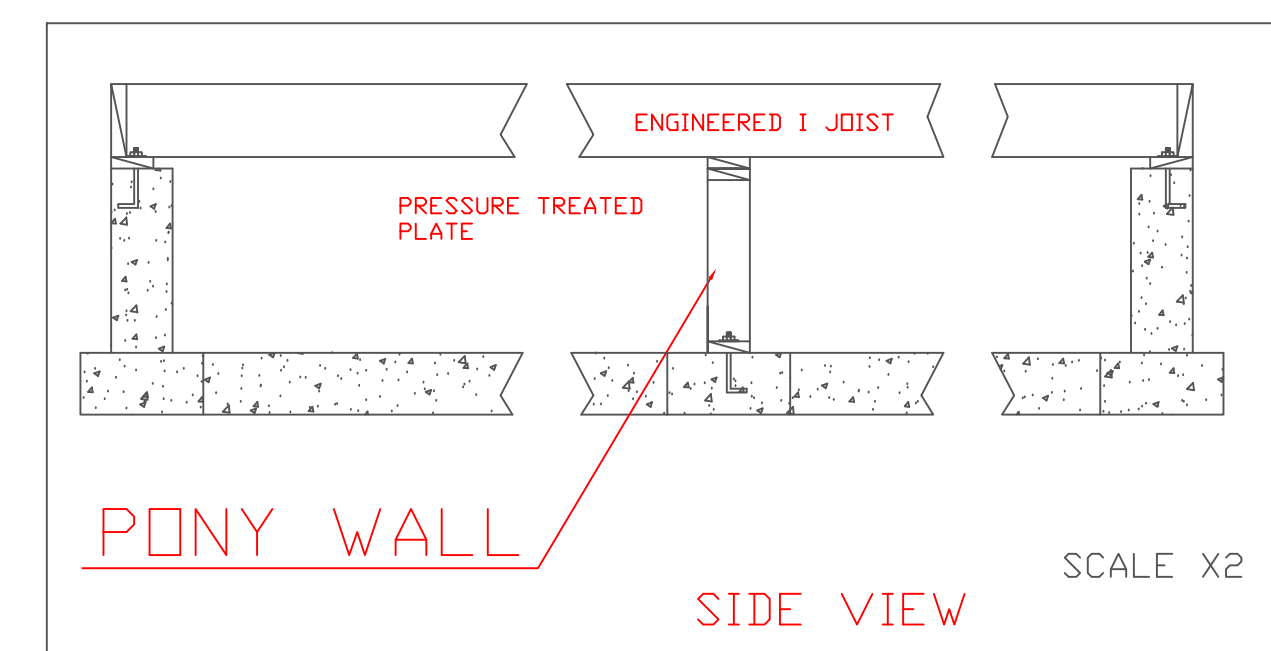
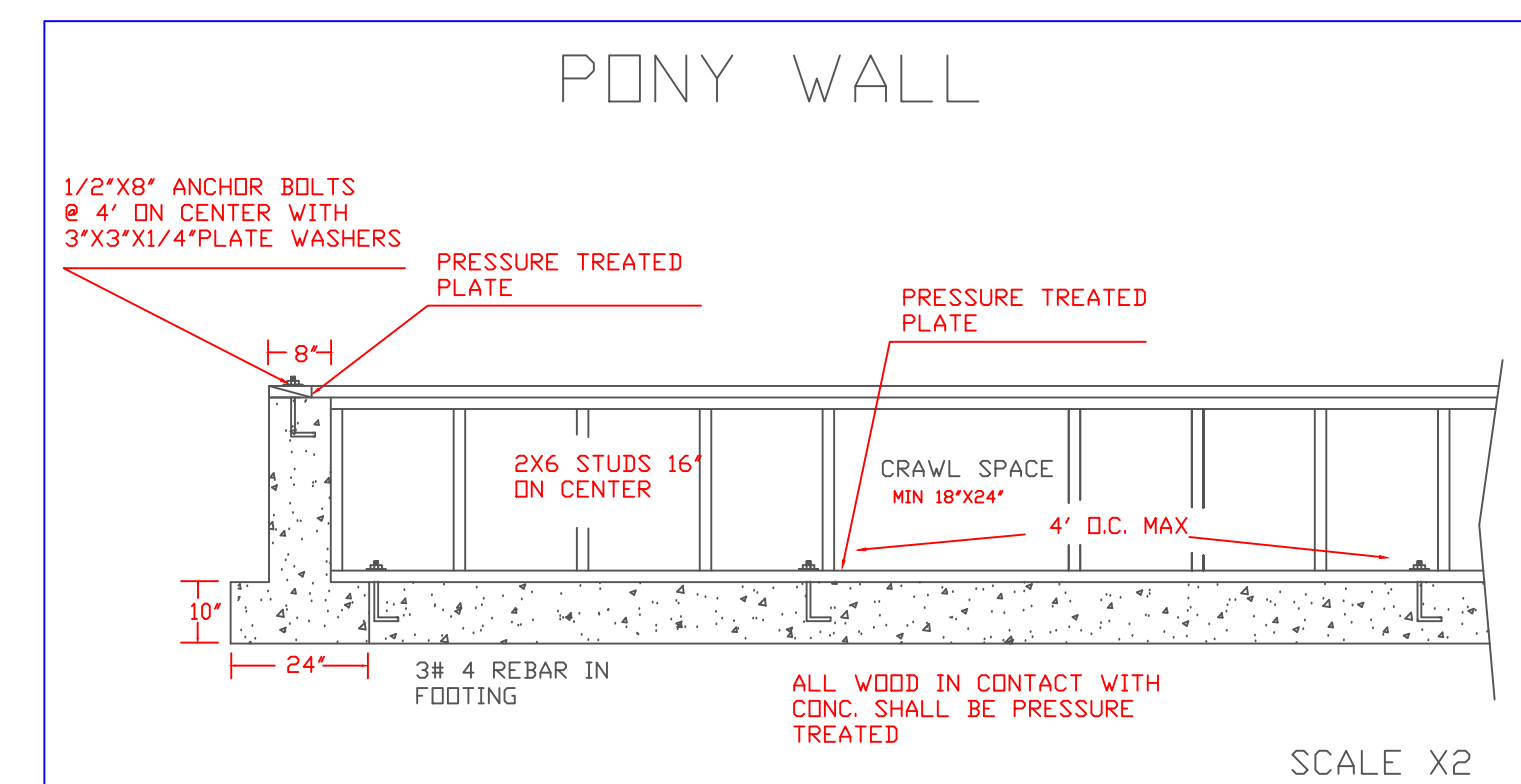
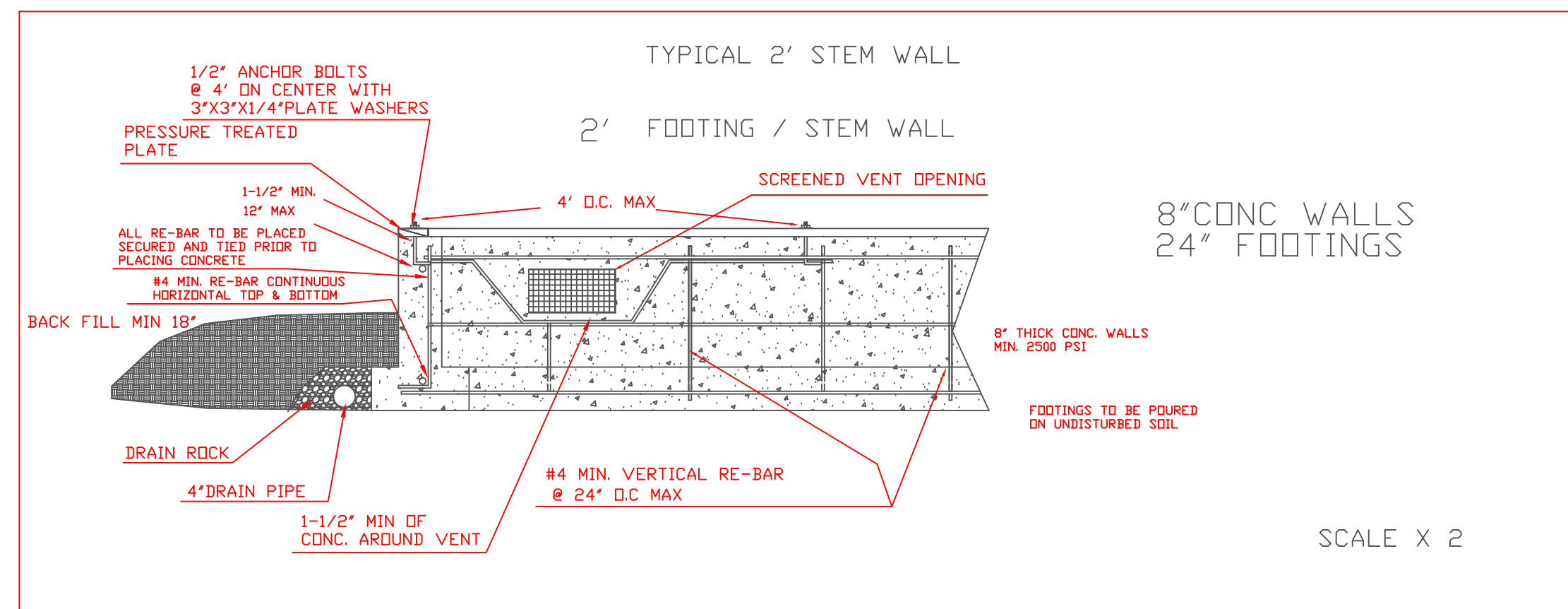
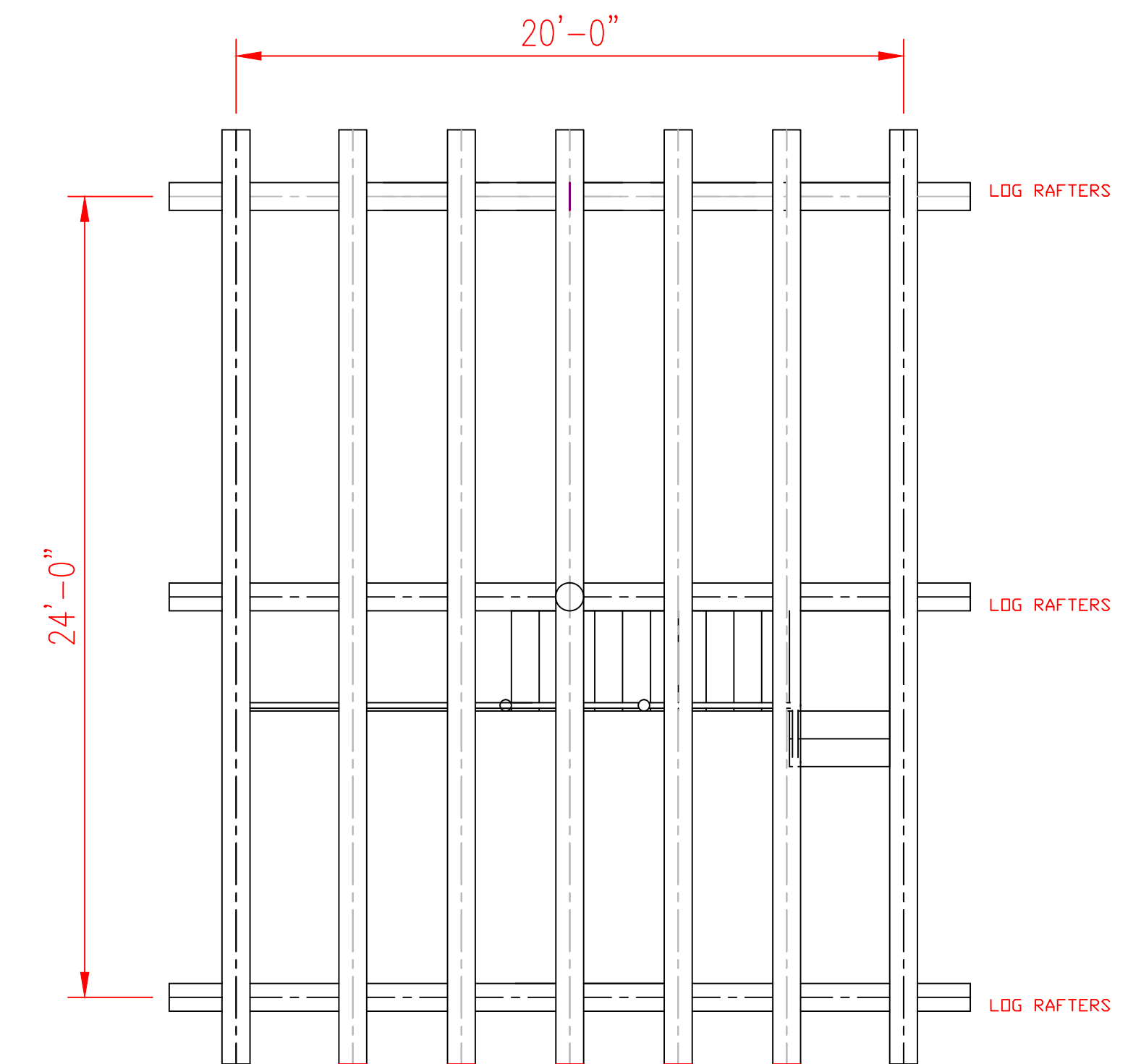
1-8"X16" VENT = .89 SQ.FT.
480/150 = 3.20 FT REQUIRED
4-VENTS = 3.56 SQ.FT.

FLOOR JOIST MAIN FLOOR



ENGINEERED FLOOR JOIST DIMENSIONS AND
LOAD POINT ADJUSTED PER MANUFACTURE

LOG PURLIN



CLEARWATER LOG
20x24
4 OF 5
SCALE 1/4"=1'
DESIGN BY MARK VESIK E-MAIL mavesik@yahoo.com WEB-SITE www.mvprints.net
208-451-0221