

GENERAL CONSTRUCTION NOTES

THESE PRINTS WERE DRAWN BY A DRAFTSMAN NOT AN ENGINEER OR AN ARCHITECT. MV PRINTS LLC IS NOT AN ENGINEER OR ARCHITECT. MV PRINTS LLC STRONGLY RECOMMENDS THAT THESE PRINTS ARE APPROVED AND STAMPED BY A STRUCTURAL ENGINEER TO MEET CODE FOR THE AREA THE STRUCTURE IS TO BE BUILT.

THE CONTRACTOR IS TO REVIEW AND VERIFY THESE DRAWINGS IN THEIR ENTIRETY BEFORE ATTEMPTING TO BUILD. ANY ERRORS DUE TO NOT REVIEWING THE PLANS ARE THE CONTRACTOR AND HOME OWNERS RESPONSIBILITY.

ALL BUILDING METHODS BY THE OWNER, BUILDER, CONTRACTORS, OR SUBCONTRACTORS OR ANY OTHER PERSONS OR ENTITIES EMPLOYED OR CONTRACTED TO WORK ON THE BUILDING ARE TO COMPLY WITH LOCAL BUILDING CODES IN THEIR ENTIRETY AND WITH NO EXCEPTIONS. IF THERE ARE NO LOCAL BUILDING CODES THEN ALL PARTIES PARTICIPATING ARE TO COMPLY WITH THE STATE BUILDING CODES OR THE CURRENT UBC OR ICBO BUILDING CODES.

THE OWNER/ CONTRACTOR SHALL VERIFY ALL MATERIALS AND EXISTING CONDITIONS AT THE JOB SITE. AND FULLY COORDINATE ALL DIMENSIONS AND CONDITIONS OF DETAILS WITH OTHER DISCIPLINES BEFORE ATTEMPTING TO BUILD.

IN THE EVENT OF A CONFLICT BETWEEN PERTINENT CODES AND REGULATIONS AND REFERENCED STANDARDS ON THESE PLANS, THE MORE STRINGENT PROVISIONS WILL GOVERN.

ANY DESIGN LOADS SHOWN ARE ASSUMED LOADS. THE OWNER AND CONTRACTOR ARE RESPONSIBLE FOR CHECKING THE ACTUAL SOIL AND SNOW LOADS REQUIREMENTS. THE OWNER AND CONTRACTOR ARE ALSO RESPONSIBLE FOR OBTAINING A SOIL REPORT IF ONE IS NECESSARY.

ALL BUILDING METHODS BY THE OWNER, BUILDER, CONTRACTORS, OR SUBCONTRACTORS OR ANY OTHER PERSONS OR ENTITIES EMPLOYED OR CONTRACTED TO WORK ON THE BUILDING ARE TO COMPLY WITH LOCAL BUILDING CODES IN THEIR ENTIRETY AND WITH NO EXCEPTIONS. IF THERE ARE NO LOCAL BUILDING CODES THEN ALL PARTIES PARTICIPATING ARE TO COMPLY WITH THE STATE BUILDING CODES OR THE CURRENT UBC OR ICBO BUILDING CODES.

WORKING DRAWINGS BY THEIR VERY NATURE ARE DIAGRAMMATIC AND DO NOT PROVIDE ALL DETAILS OR CONDITIONS OF CONSTRUCTION. THIS PLAN IS INTENDED TO SUPPLY IDEAS AND POTENTIAL BUILDING CONCEPTS ONLY. EVERY REASONABLE EFFORT HAS BEEN MADE TO PROVIDE CLEAR AND ACCURATE WORKING DRAWINGS. HOWEVER, QUESTIONS MAY ARISE AS TO THE DESIGN INTENT AND TO CONSTRUCTION TECHNICAL DETAILING WITHIN THESE DRAWINGS. AS CLARIFICATIONS, INTERPRETATIONS AND REVISIONS ARE PART OF THE CONSTRUCTION PROCESS. MV PRINTS SHALL NOT BE LIABLE FOR ANY DIRECT, INDIRECT OR CONSEQUENTIAL DAMAGES AS A RESULT OF NOT PARTICIPATING IN THE CONSTRUCTION PROCESS.

GENERAL CONSTRUCTION PRACTICES VARY FROM REGION TO REGION. CODES AND REQUIREMENTS CHANGE FROM TIME TO TIME AND ARE SUBJECT TO VARYING INTERPRETATIONS AS WELL AS LOCAL REGULATIONS AND REQUIREMENTS. ALL OF WHICH THE PURCHASER IS RESPONSIBLE FOR MEETING. THE PURCHASER IS THEREFOR ADVISED TO CONSULT THEIR STATE AND LOCAL CODES AND BUILDING REGULATIONS PRIOR TO CONSTRUCTION OF THESE HOME PLANS.

DUE TO THE NATURE OF CONSTRUCTION AND THE BUILDING PROCESS THERE WILL BE BIDDER DESIGN AND PURCHASER SELECTION OF THE BUILDING PRODUCTS COMPONENTS AND ASSEMBLIES. THIS SET OF WORKING DRAWINGS IS CONCEPTUAL AND DOES NOT INCLUDE FULL SPECIFICATIONS OR BUILDING MATERIAL LIST. THEREFORE IT IS THE PURCHASERS RESPONSIBILITY TO PROVIDE AND COORDINATE SPECIFICATIONS, INCLUDING PRODUCT SELECTION AND INSTALLATION OR ASSEMBLY. MV PRINTS ASSUMES NO LIABILITY OR RESPONSIBILITY FOR ERRORS OR CONFLICTS WHICH OCCUR THROUGH PURCHASERS SPECIFIED MATERIALS AND THEIR RESPECTIVE INSTALLATION. MV PRINTS MAKES NO GUARANTEE TO THE AVAILABILITY OF PRODUCTS, MATERIAL, APPLICATION, OR INSTALLATION.

THESE DRAWINGS ARE COPYRIGHTED BY MV PRINTS. MV PRINTS RETAINS ALL RIGHTS, OWNERSHIP AND COPYRIGHT OF THIS DESIGN, REPRODUCTIONS OF ILLUSTRATIONS OR WORKING DRAWINGS IN ANY FORM IS STRICTLY PROHIBITED.

MV PRINTS GRANTS THE PURCHASER A LICENSE FOR A NON-EXCLUSIVE ONE TIME USE TO CONSTRUCT ONE STRUCTURE. THE LICENSE IS NON TRANSFERABLE.

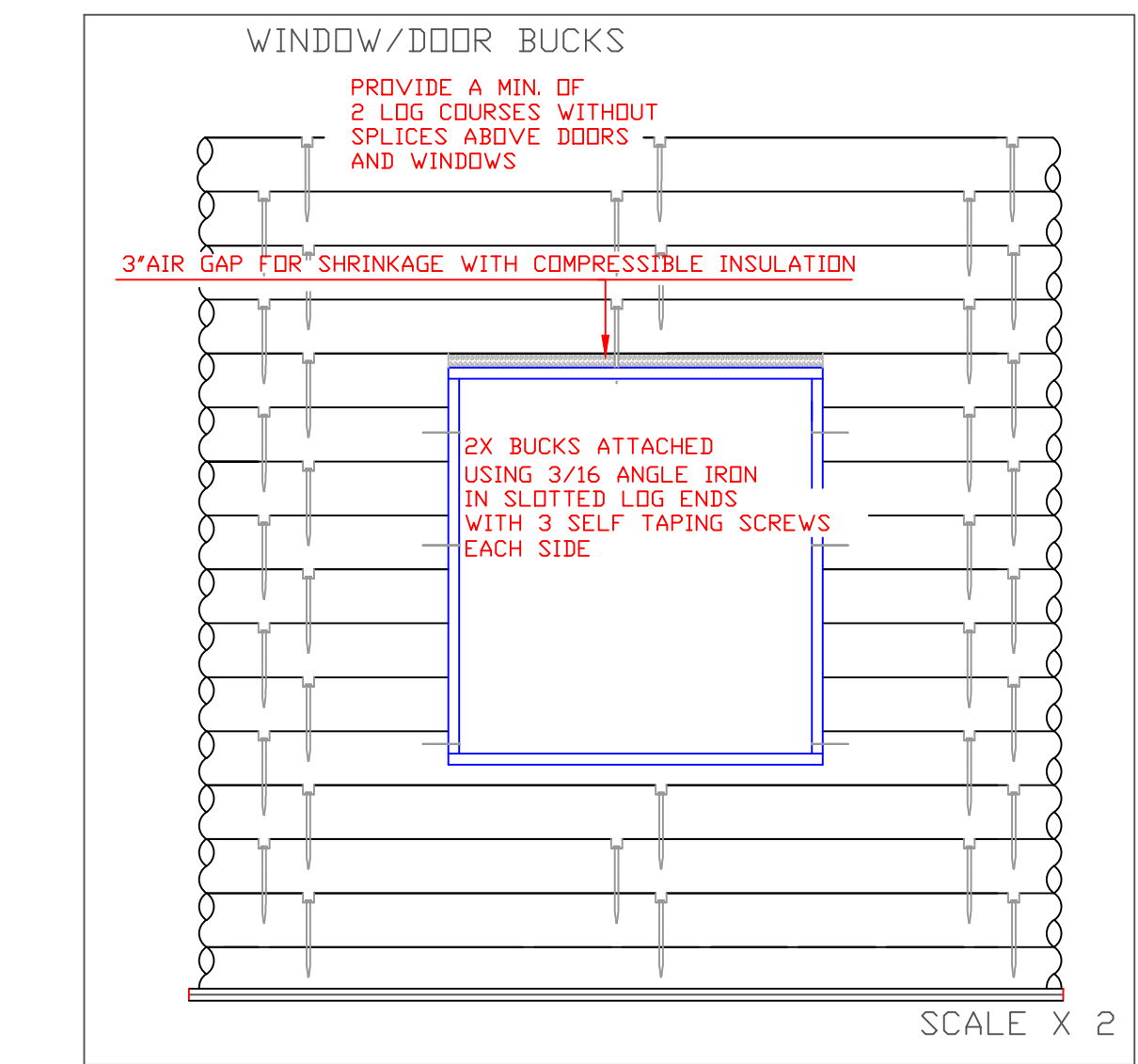
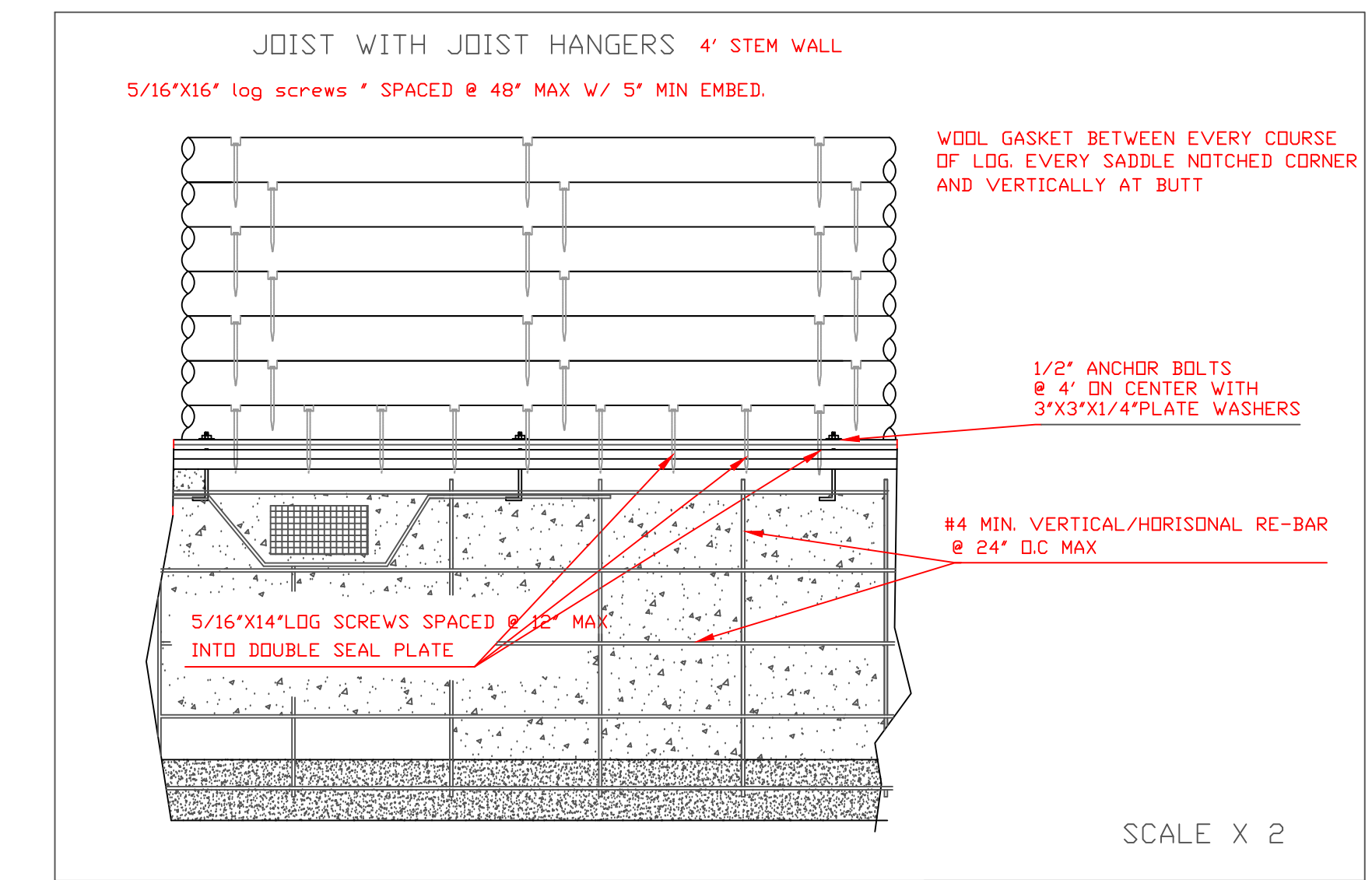
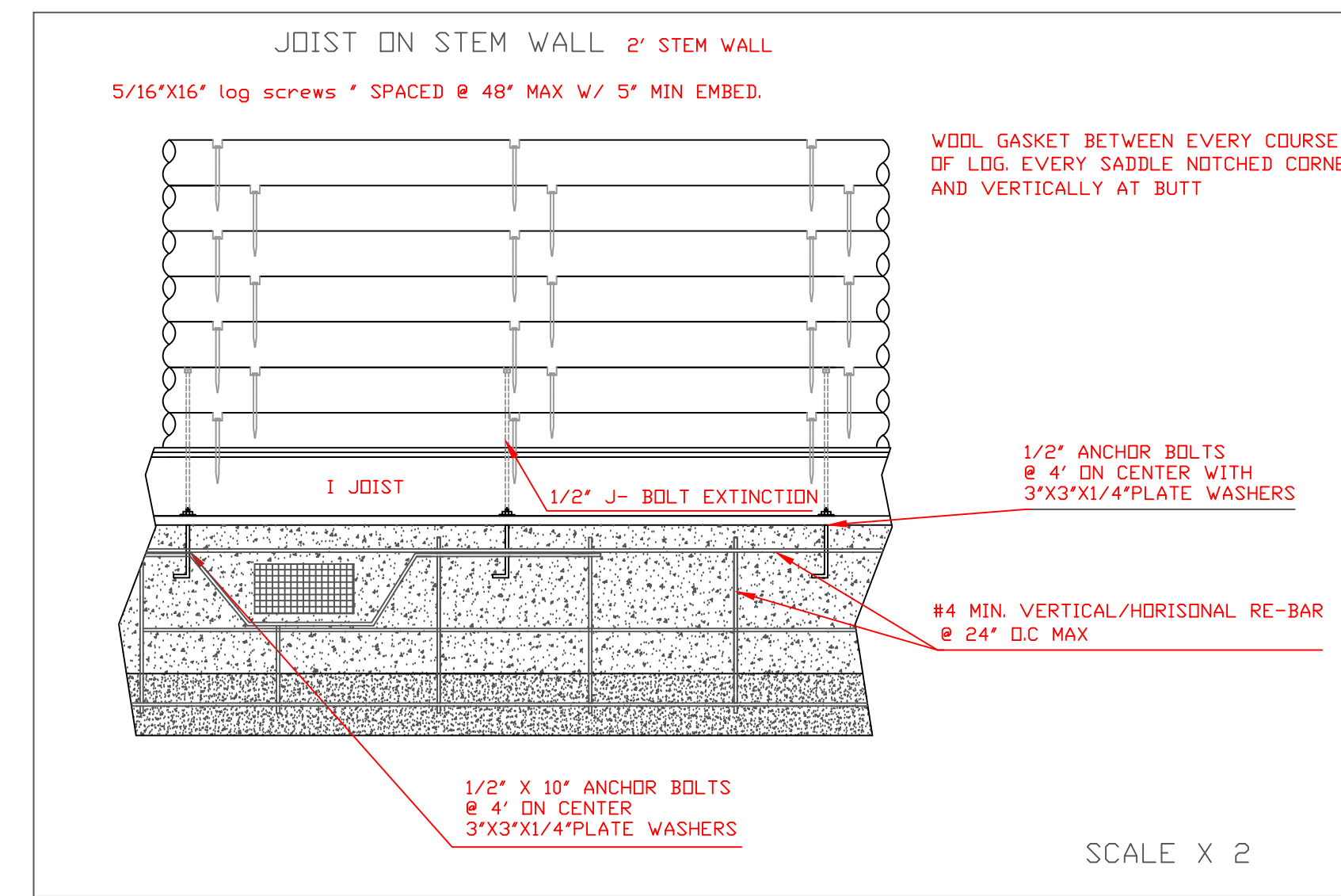
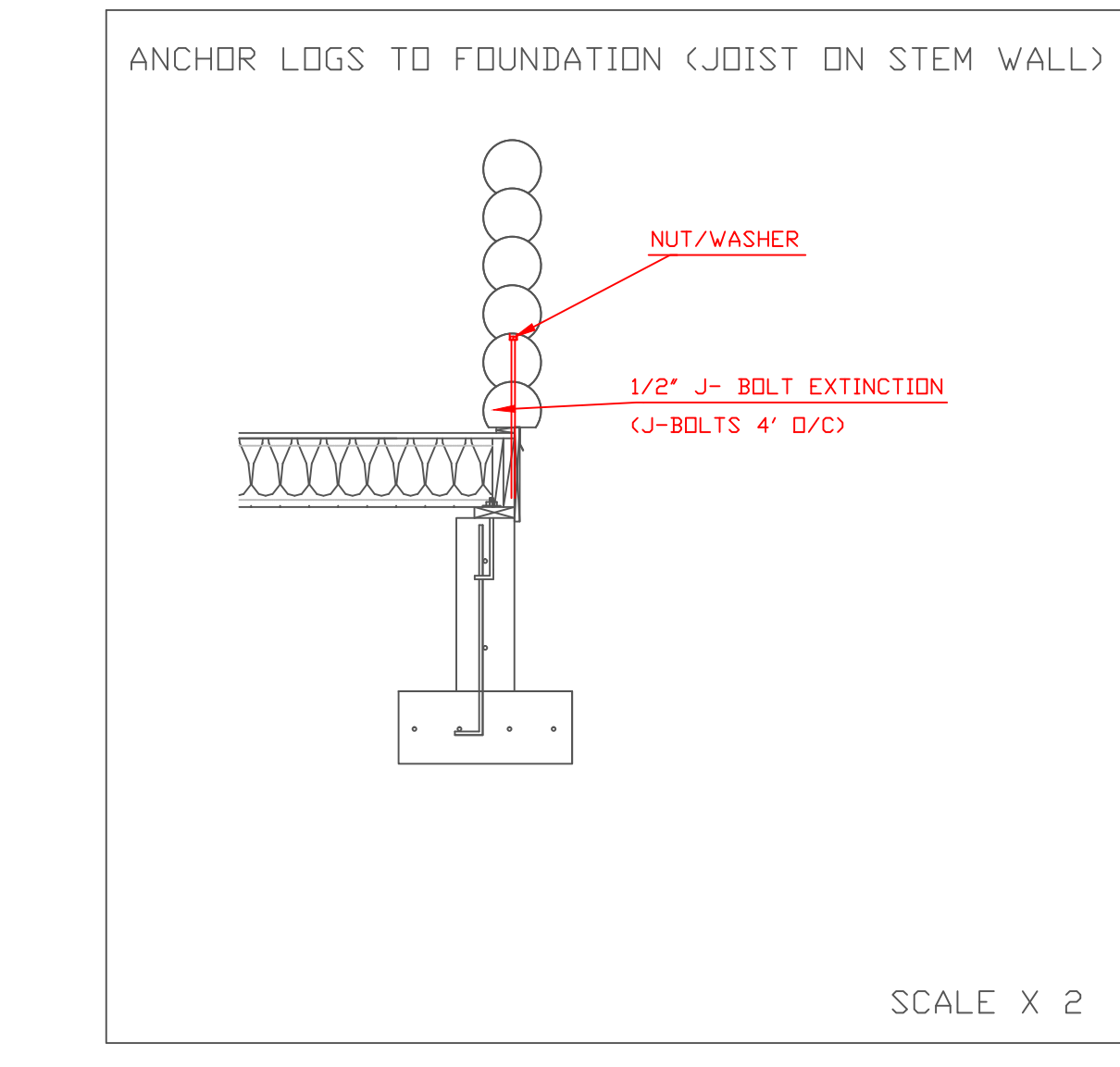
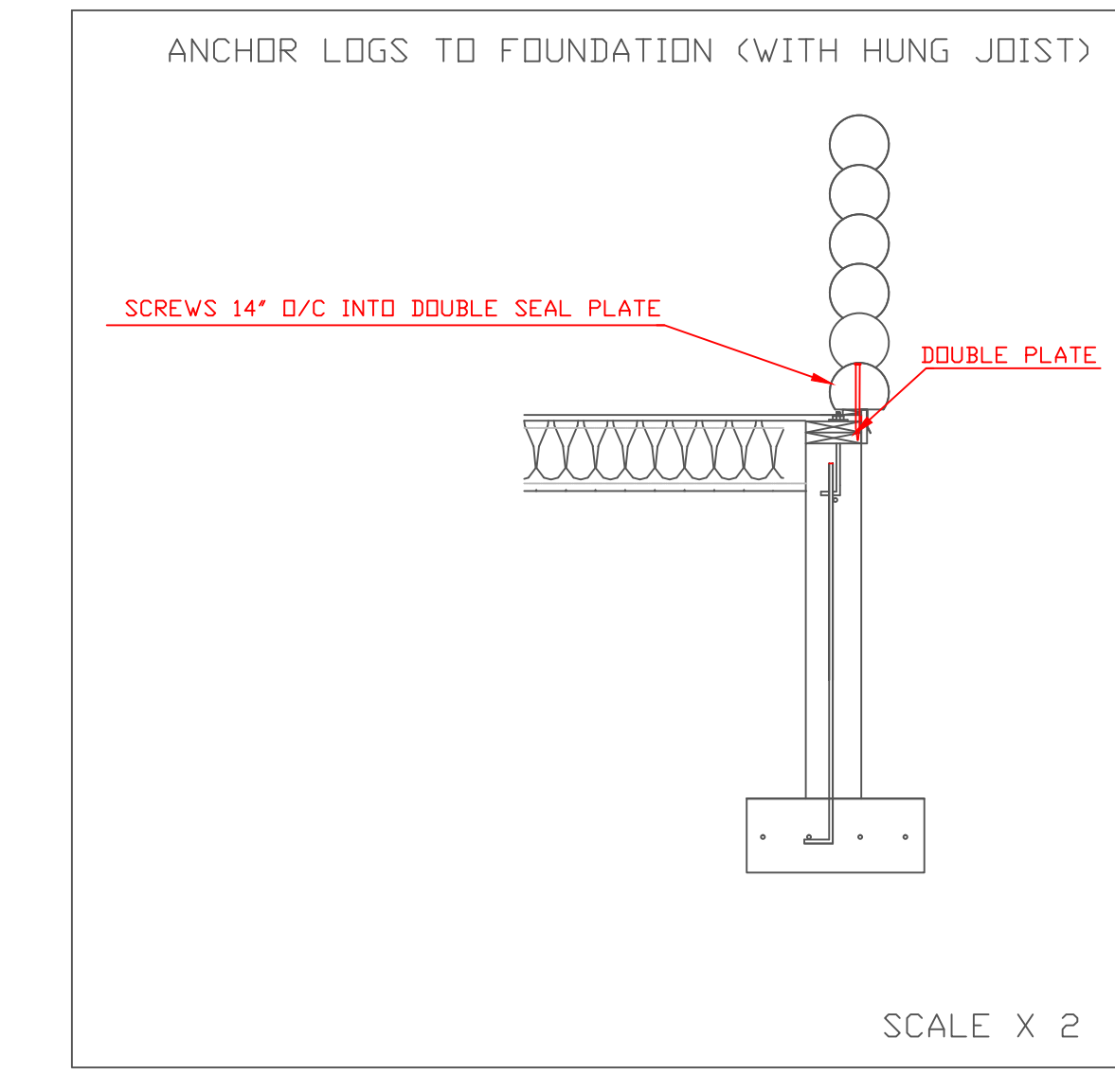
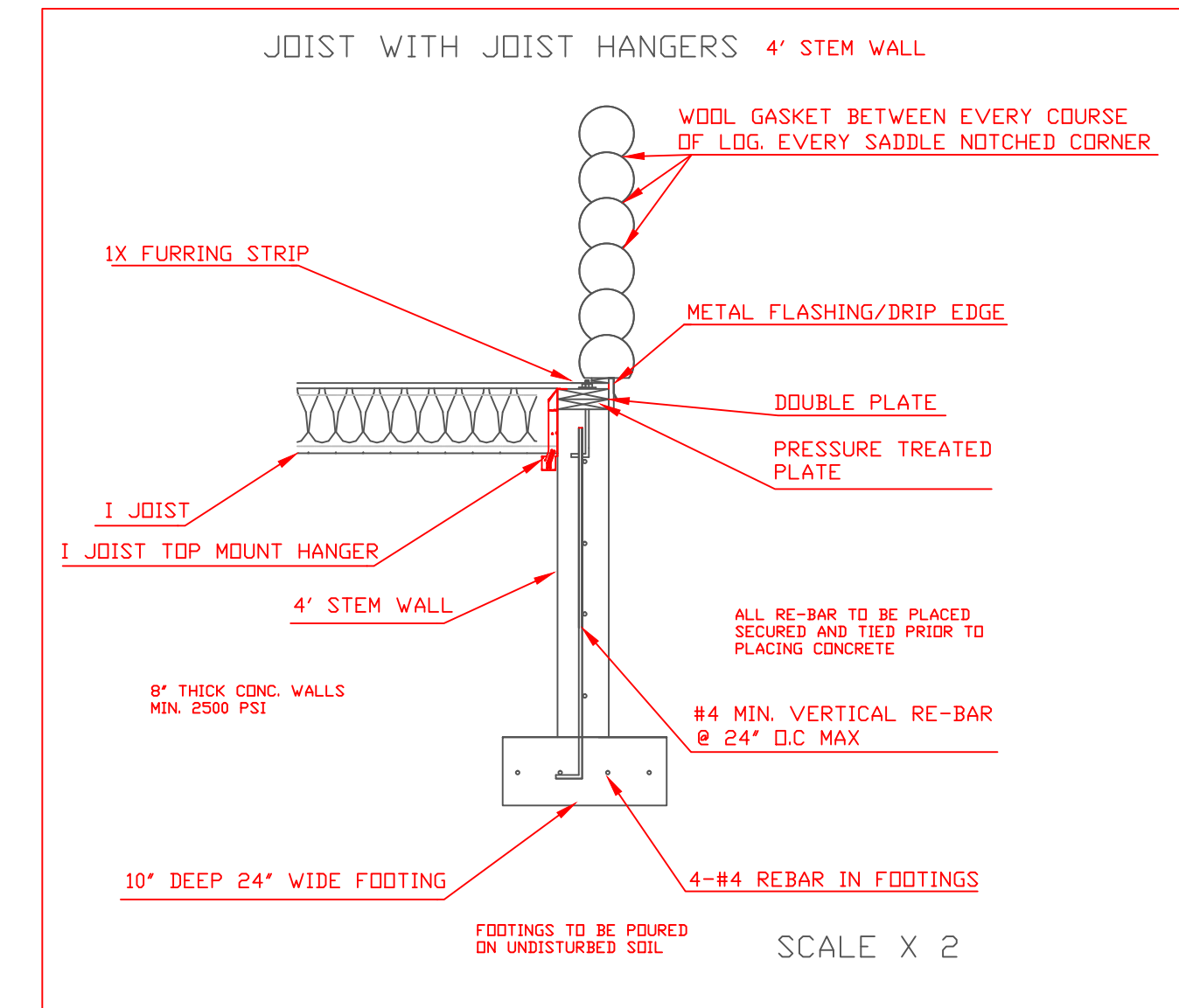
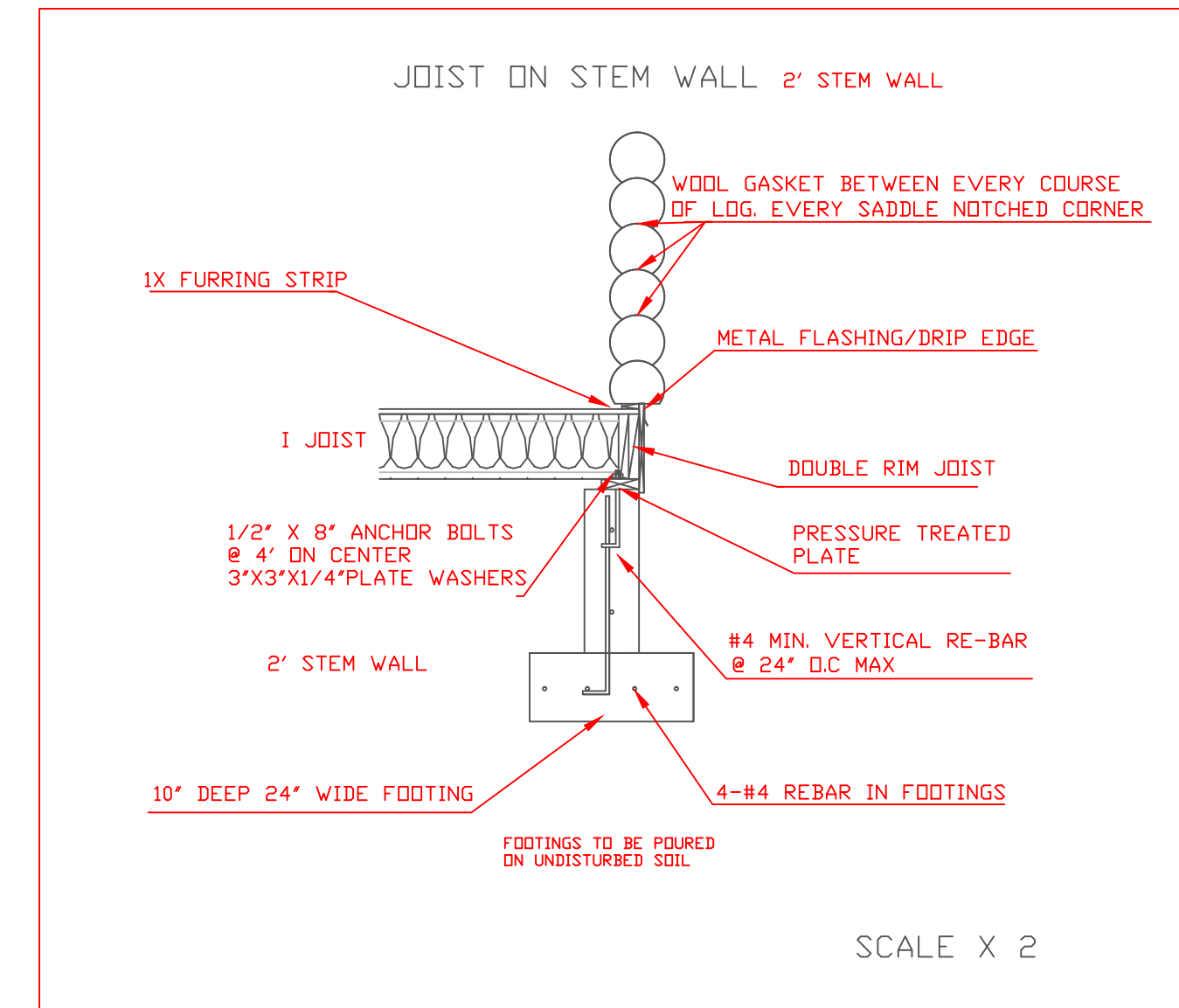
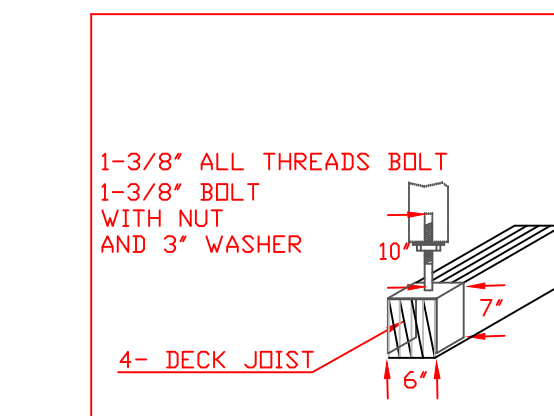
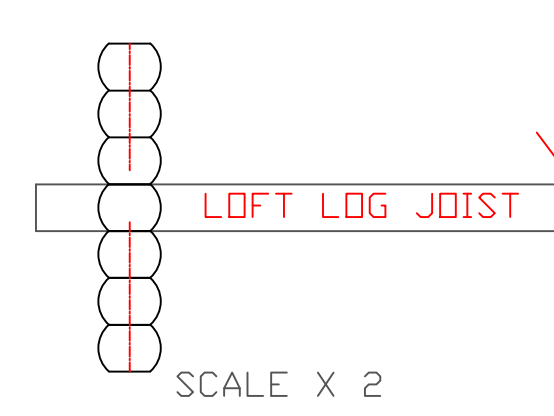
LOG CONSTRUCTION

LOGS WILL GENERALLY BE WESTERN WOODS WITH A LOW MOISTURE CONTENT AT THE TIME OF DELIVERY. PROVISIONS SHALL BE MADE FOR SHRINKAGE OR SETTLING OF THE LOG WALLS DURING AND AFTER CONSTRUCTION SETTING JACKS AS SHOWN SHALL BE ADJUSTED PERIODICALLY AS REQUIRED AFTER INITIAL CONSTRUCTION OF THE LOG SHELL. CONTRACTOR IS RESPONSIBLE FOR CONSTRUCTION THAT ALLOWS FOR SETTLING IN LOG WALLS, INTERIOR FRAMED WALLS, CABINETS, PLUMBING, ETC.

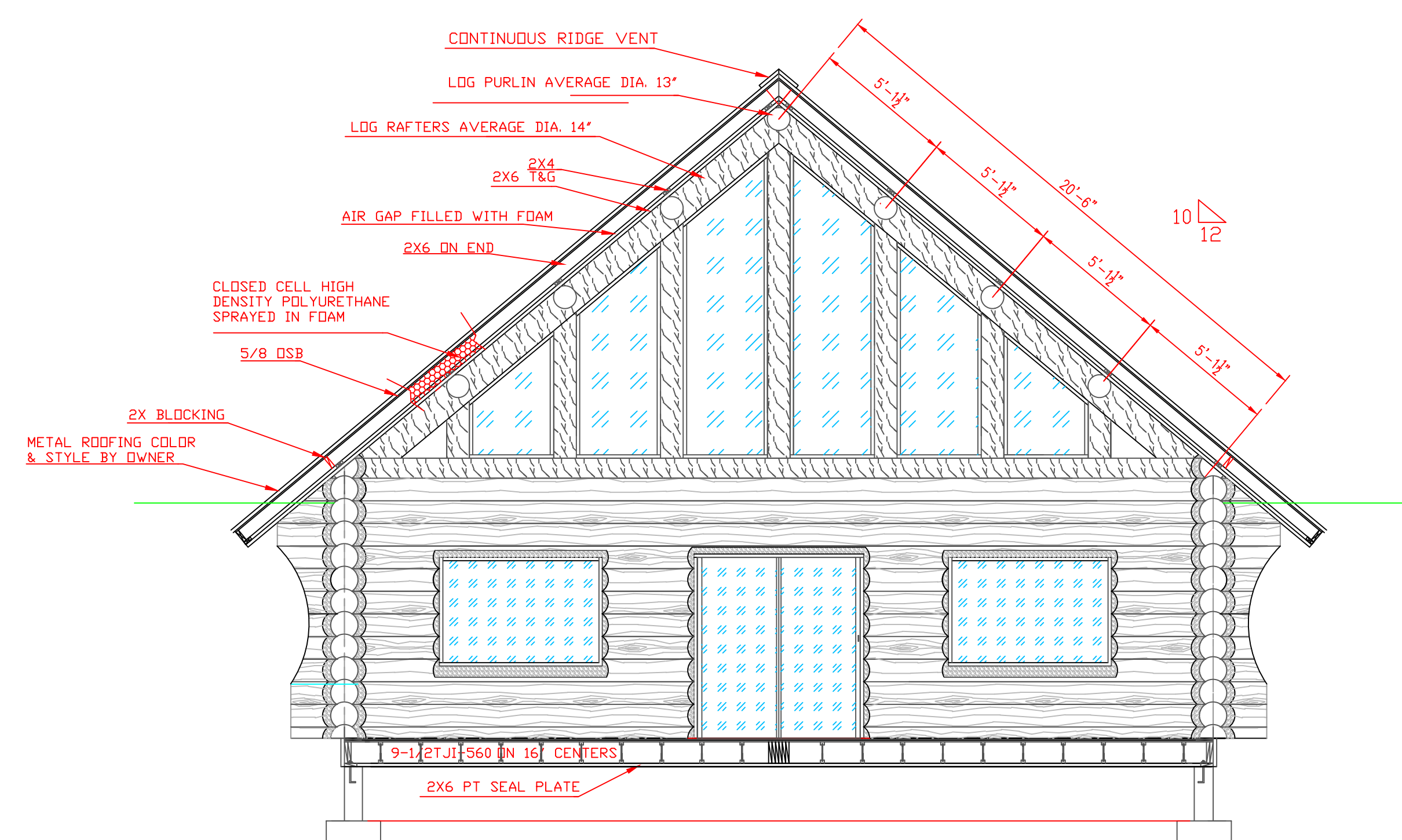
LOGS WILL GENERALLY BE WESTERN WOODS WITH A LOW MOISTURE CONTENT AT THE TIME OF DELIVERY. PROVISIONS SHALL BE MADE FOR SHRINKAGE OR SETTLING OF THE LOG WALLS DURING AND AFTER CONSTRUCTION SETTING JACKS AS SHOWN SHALL BE ADJUSTED PERIODICALLY AS REQUIRED AFTER INITIAL CONSTRUCTION OF THE LOG SHELL. CONTRACTOR IS RESPONSIBLE FOR CONSTRUCTION THAT ALLOWS FOR SETTLING IN LOG WALLS, INTERIOR FRAMED WALLS, CABINETS, PLUMBING, ETC.

DRAINAGE

FINAL FINISHED GRADE IS TO BE AT LEAST 12" FROM THE TOP OF THE FOUNDATION WITH A RECOMMENDED 24". IF LOCAL CODES REQUIRE SOMETHING DIFFERENT THEN THAT CODE IS TO BE FOLLOWED. FINISHED GRADE IS TO PROVIDE SUFFICIENT DRAINAGE AWAY FROM THE BUILDING WITH SLOPE, FRENCH DRAINS OR OTHER AS PERMITTED BY LOCAL CODES.



TYPICAL ROOF SYSTEM



LOG BUILDING
32'x36'
5 OF 5
SCALE 1/4"=1'
DESIGN BY MARK VESIK
E-MAIL mavesik@yahoo.com
WEB-SITE www.mvprints.net
208-451-0221

